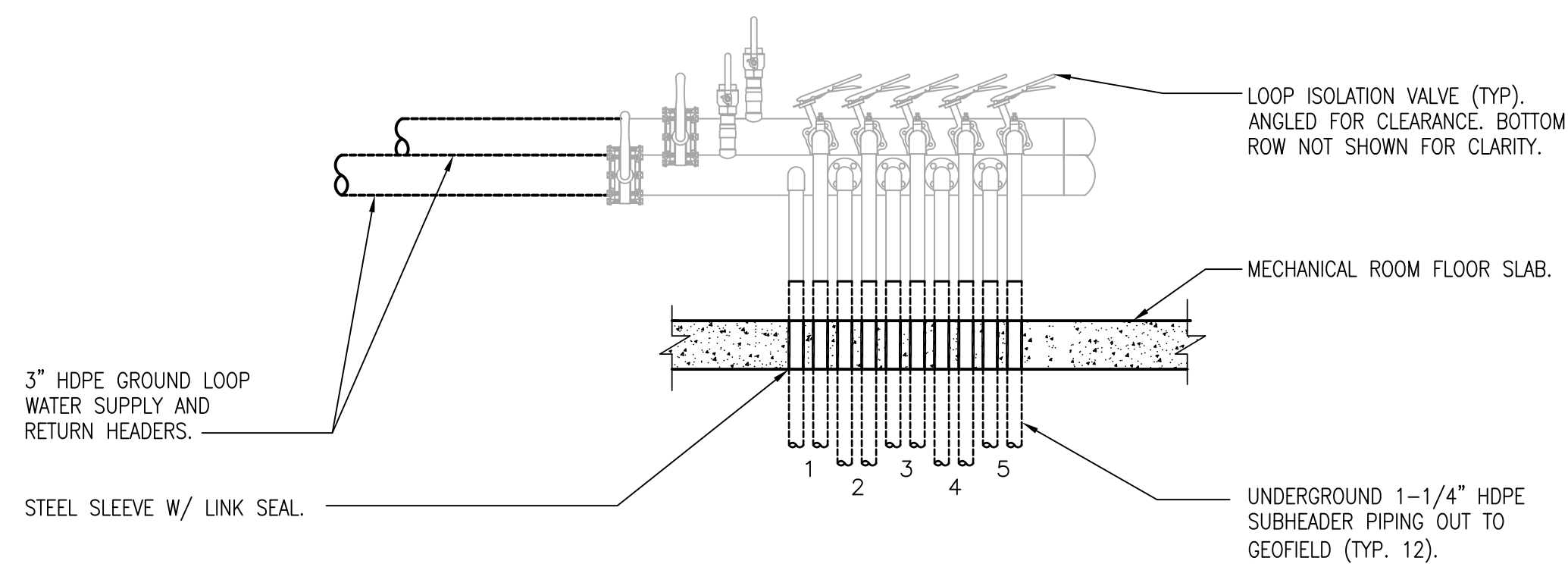
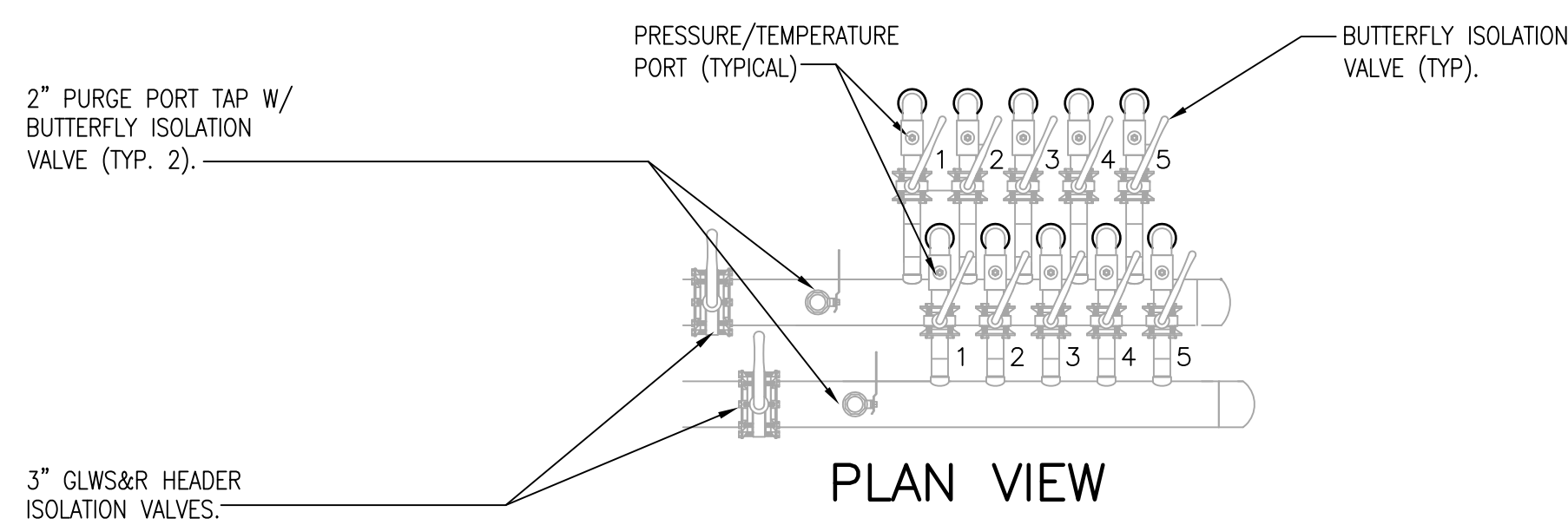


3 BORE HOLE DETAIL
M3-1 SCALE: NONE

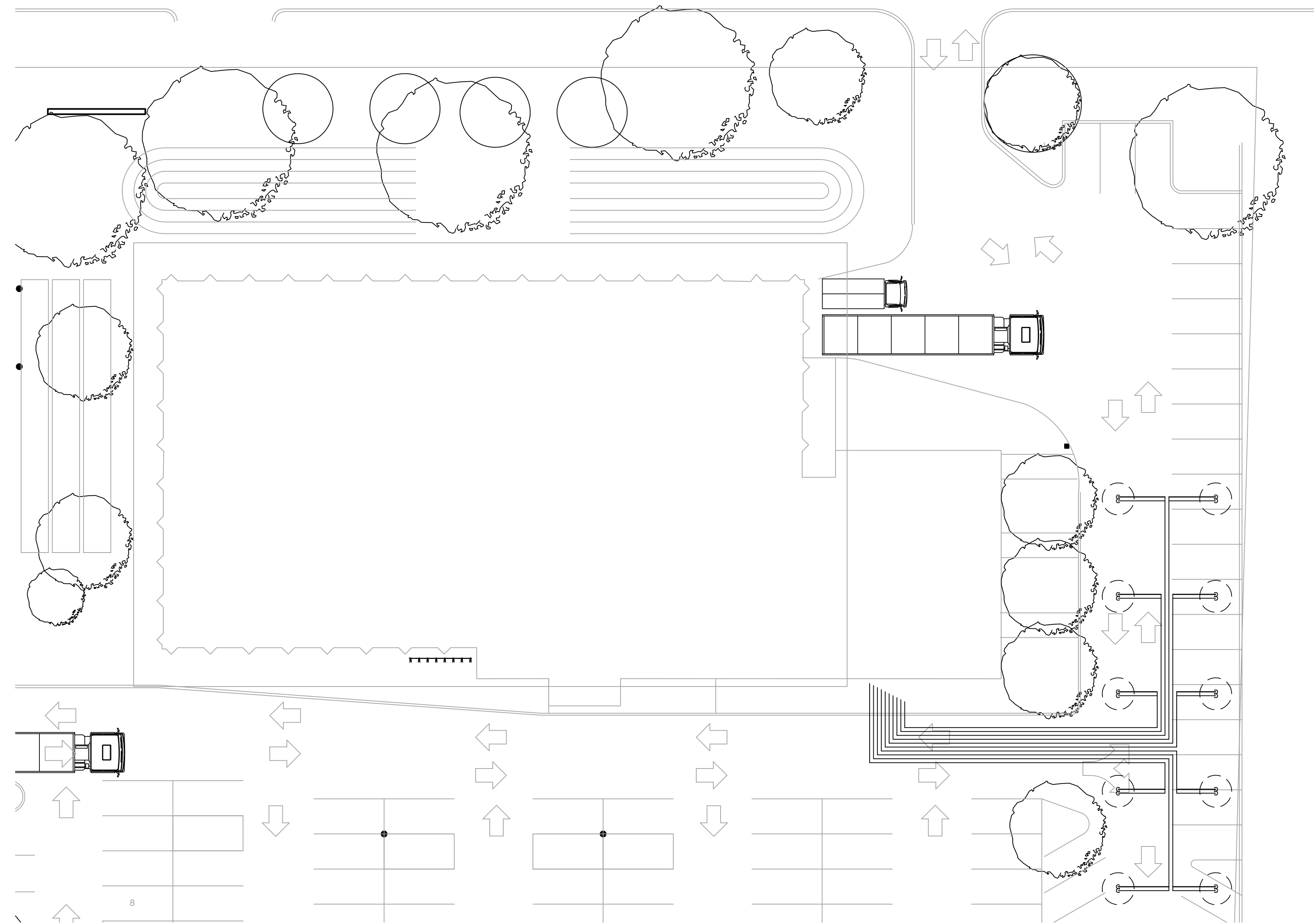


SIDE VIEW

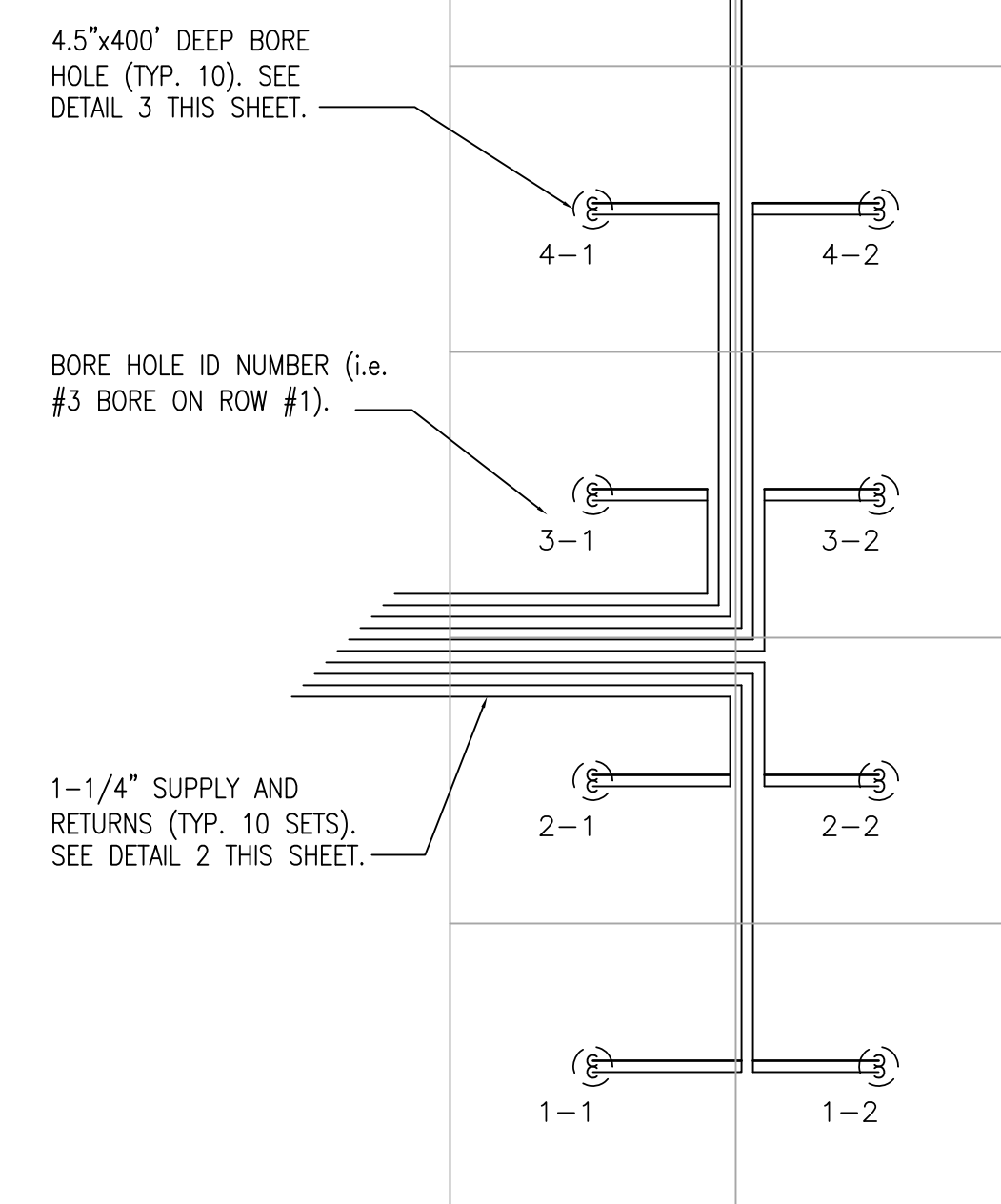


PLAN VIEW

4 PIPING ENTRY DETAIL
M3-1 SCALE: NONE



GROUND LOOP HEAT EXCHANGER PART SITE PLAN
SCALE: 1"=20'



1 GROUND LOOP PIPING SCHEMATIC
M3-1 SCALE: 1/16" = 1'-0"

PRELIMINARY ONLY
NOT FOR CONSTRUCTION



ASHRAE HEADQUARTERS
ADDITION AND RENOVATION

THIS DRAWING IS THE PROPERTY OF RICHARD + WITTSCHIEBE ARCHITECTS, INC. AND IS NOT TO BE REPRODUCED OR TRANSMITTED IN ANY FORM OR BY ANY MEANS, ELECTRONIC OR MECHANICAL, INCLUDING PHOTOCOPYING, RECORDING, OR BY ANY INFORMATION STORAGE AND RETRIEVAL SYSTEM, WITHOUT THE WRITTEN PERMISSION OF RICHARD + WITTSCHIEBE ARCHITECTS, INC. NOT VALID UNLESS SIGNED AND SEALED.

DRAWING TITLE:

HVAC GROUND LOOP LAYOUT AND DETAILS

PROJECT NUMBER:

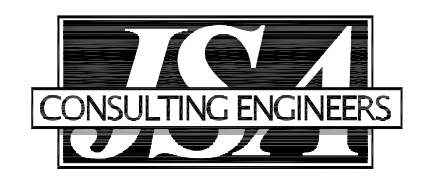
200614

DATE:

5/25/07

DRAWING NUMBER:

M3.1



Johnson, Spellman & Associates, Inc.

6991 Peachtree Industrial Boulevard, Building 700,
Norcross, Georgia 30092
Phone (770) 447-9555 Fax (770) 446-9042
visit us at www.jsai.com
© 2006 Johnson, Spellman & Associates, Inc.