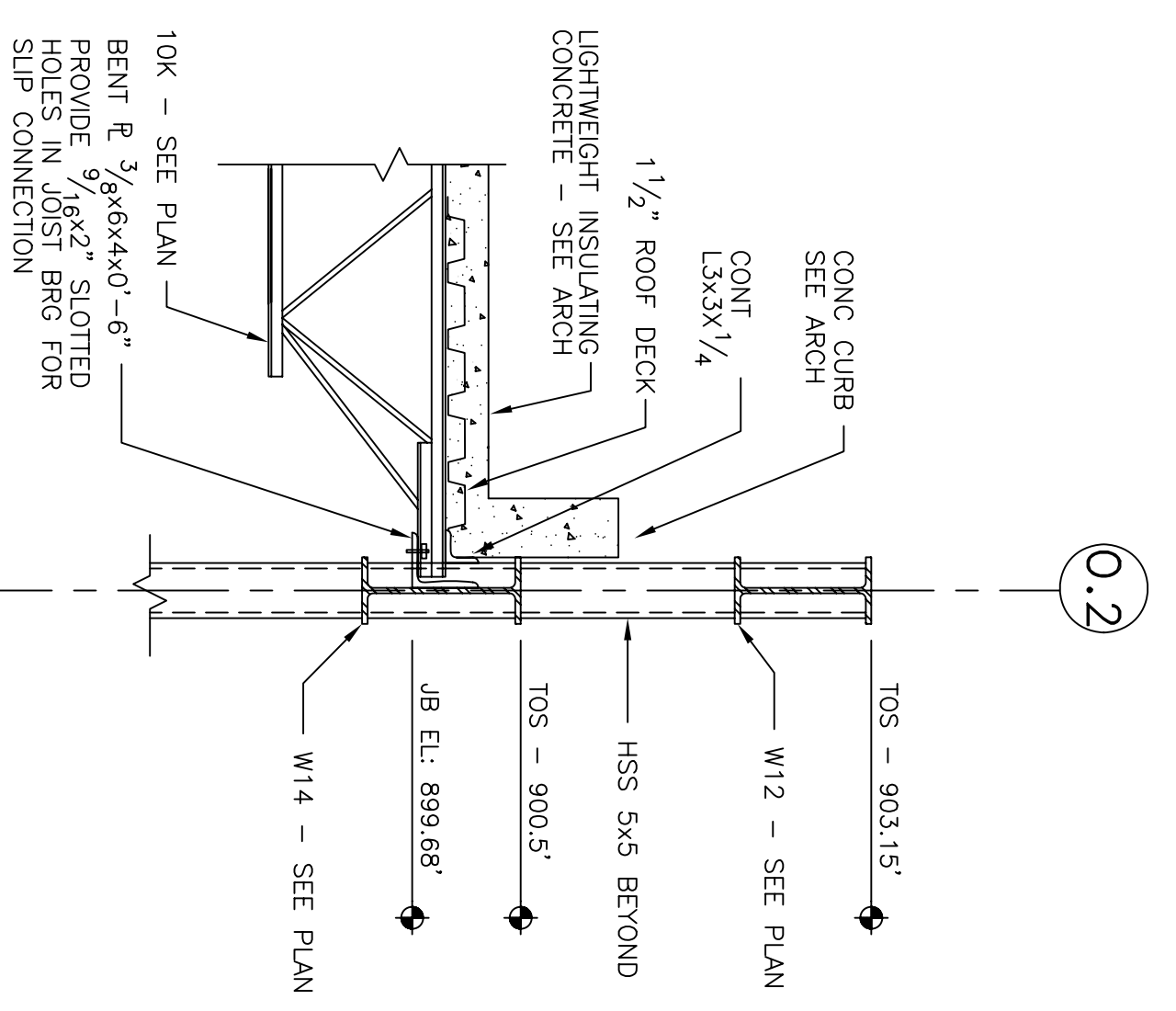
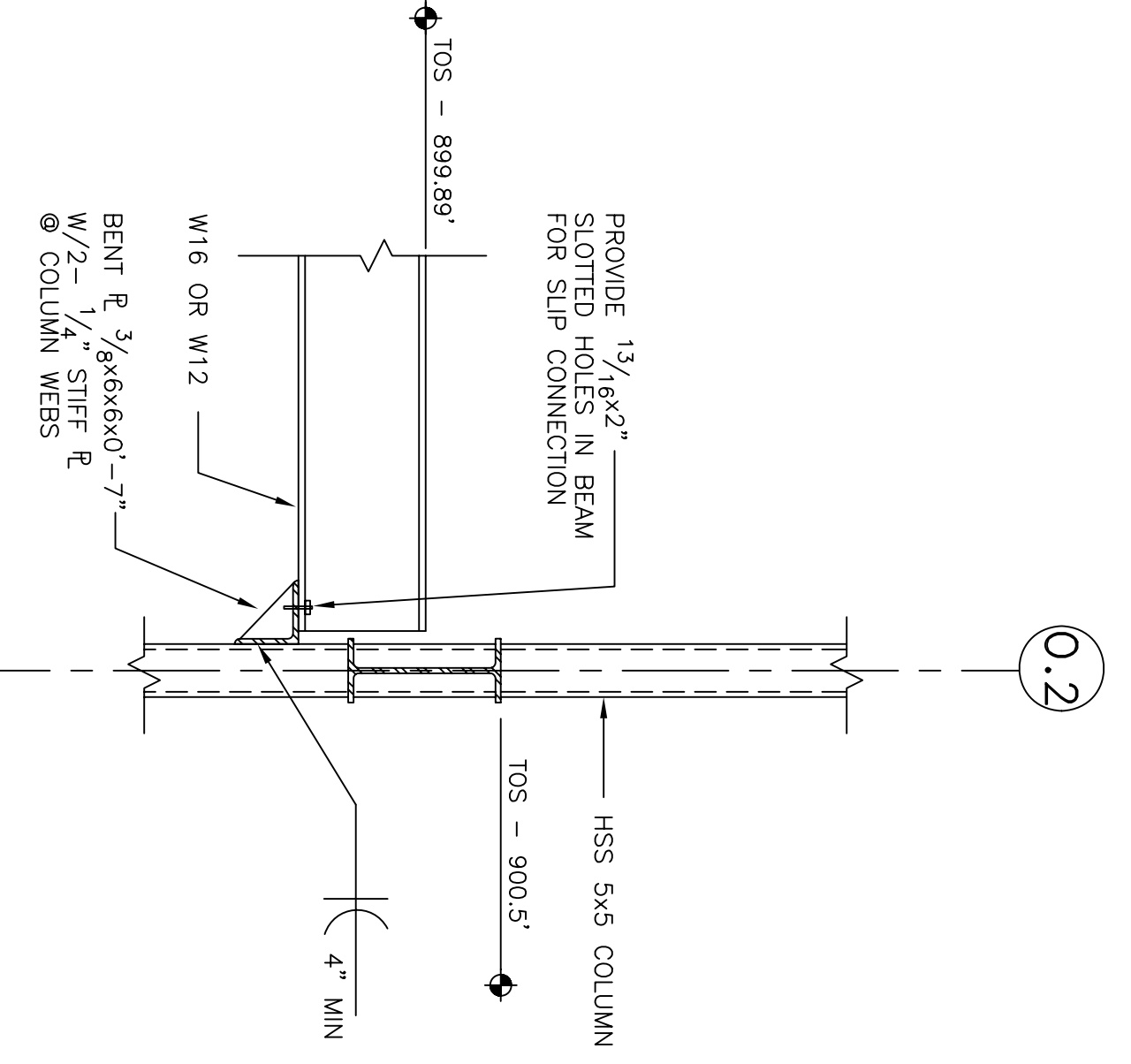


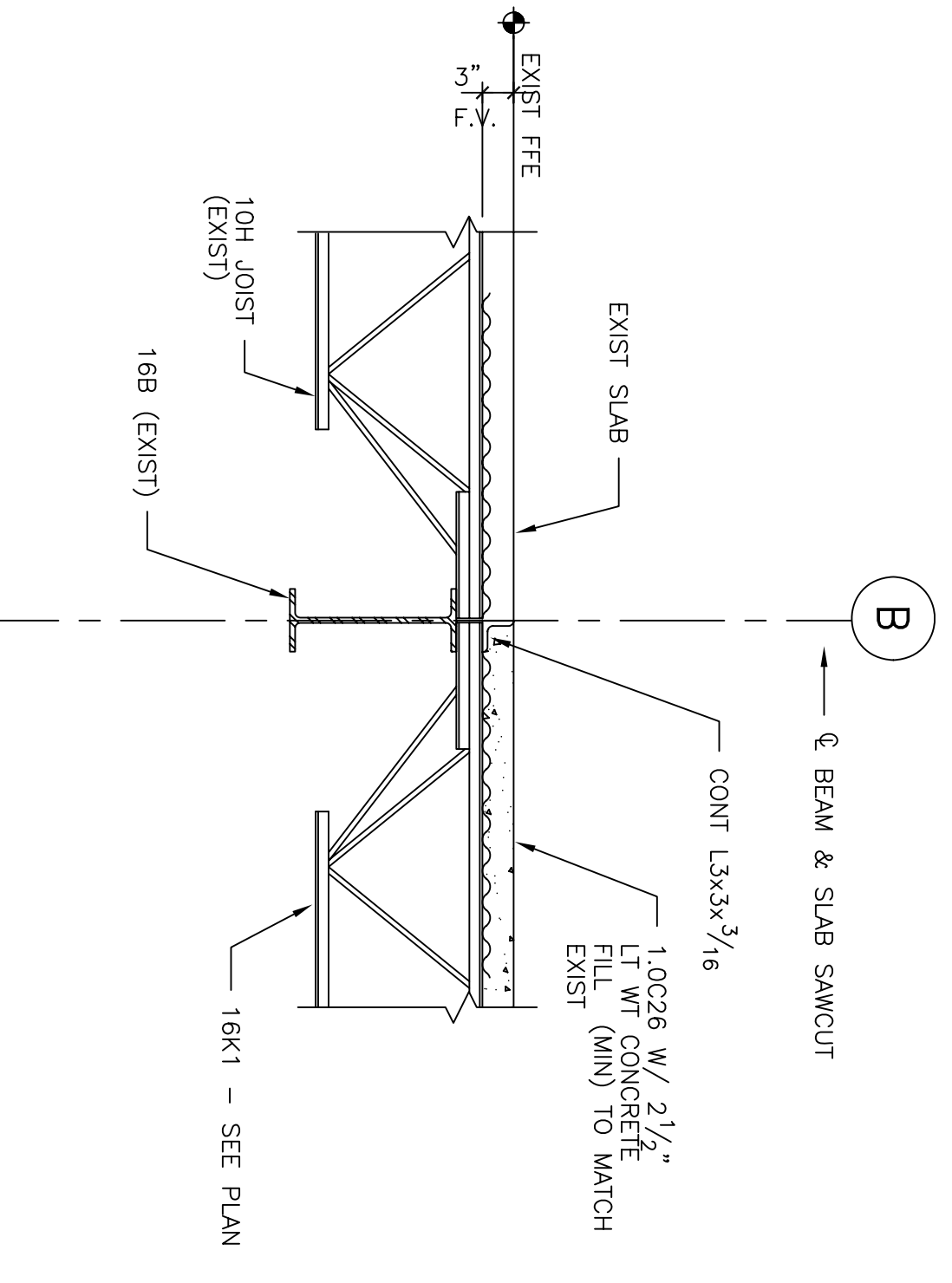
SECTION 1
SCALE: 3/4" = 1'-0"
S2.2



SECTION 2
SCALE: 3/4" = 1'-0"
S2.2



SECTION 3
SCALE: 3/4" = 1'-0"
S2.2



SECTION 7
SCALE: 3/4" = 1'-0"
S2.2



15 Simpson Street
Atlanta, Georgia 30308
V 404.688.2200
F 404.688.2400
www.rplusw.com

ASHRAE HEADQUARTERS ADDITION AND RENOVATION

THIS DOCUMENT IS COPYRIGHT © 2006 BY RICHARD WITSCHIEBE ARCHITECTS, INC. ALL RIGHTS RESERVED. NO PART OF THIS DOCUMENT MAY BE REPRODUCED OR TRANSMITTED IN ANY FORM OR BY ANY MEANS, ELECTRONIC OR MECHANICAL, INCLUDING PHOTOCOPYING, RECORDING, OR BY ANY INFORMATION STORAGE AND RETRIEVAL SYSTEM.

#	DATE	DESCRIPTION

Partial Roof Framing
Plan & Details

JOB NUMBER
200614

DATE
5-25-07

SHEET NUMBER
S2.2