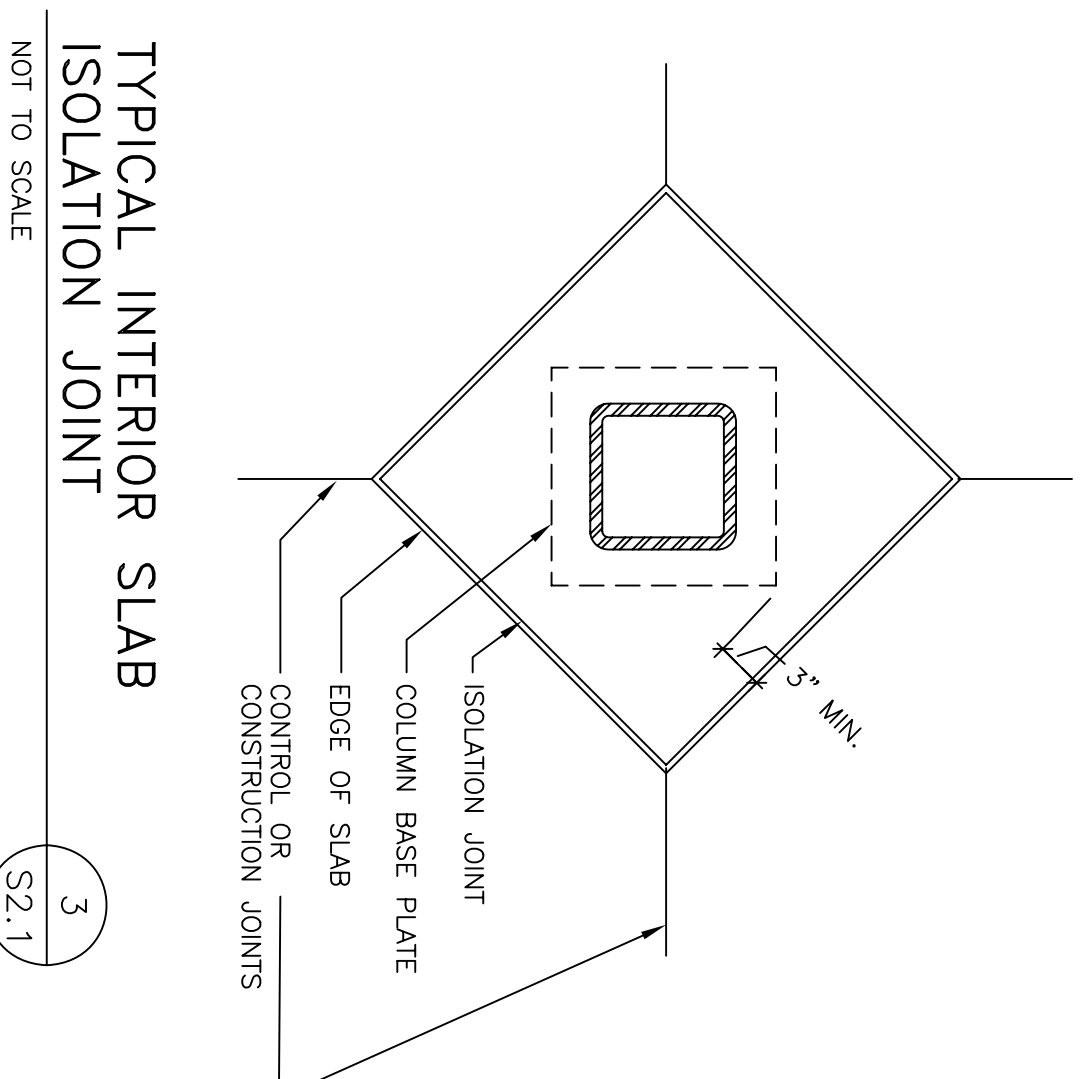
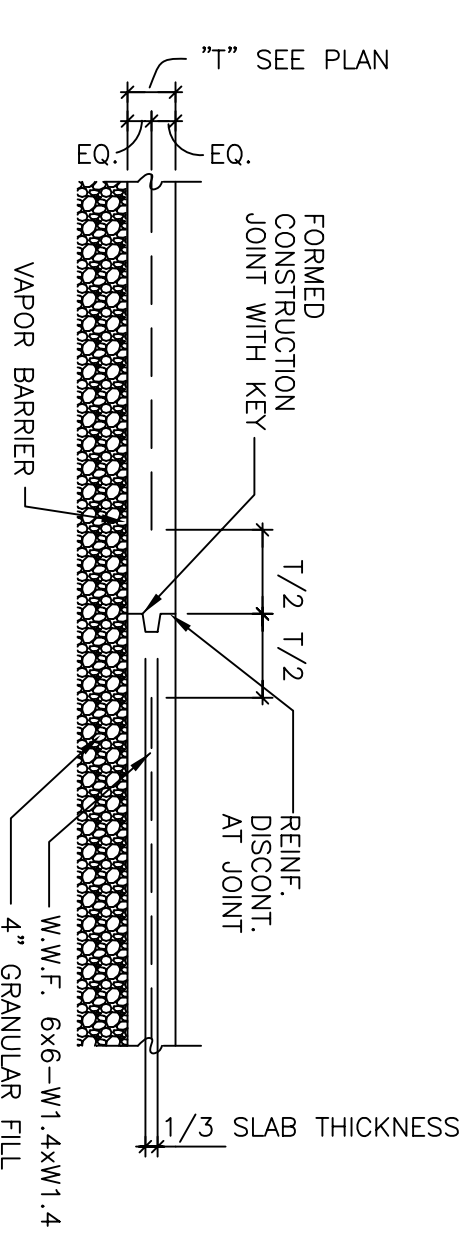


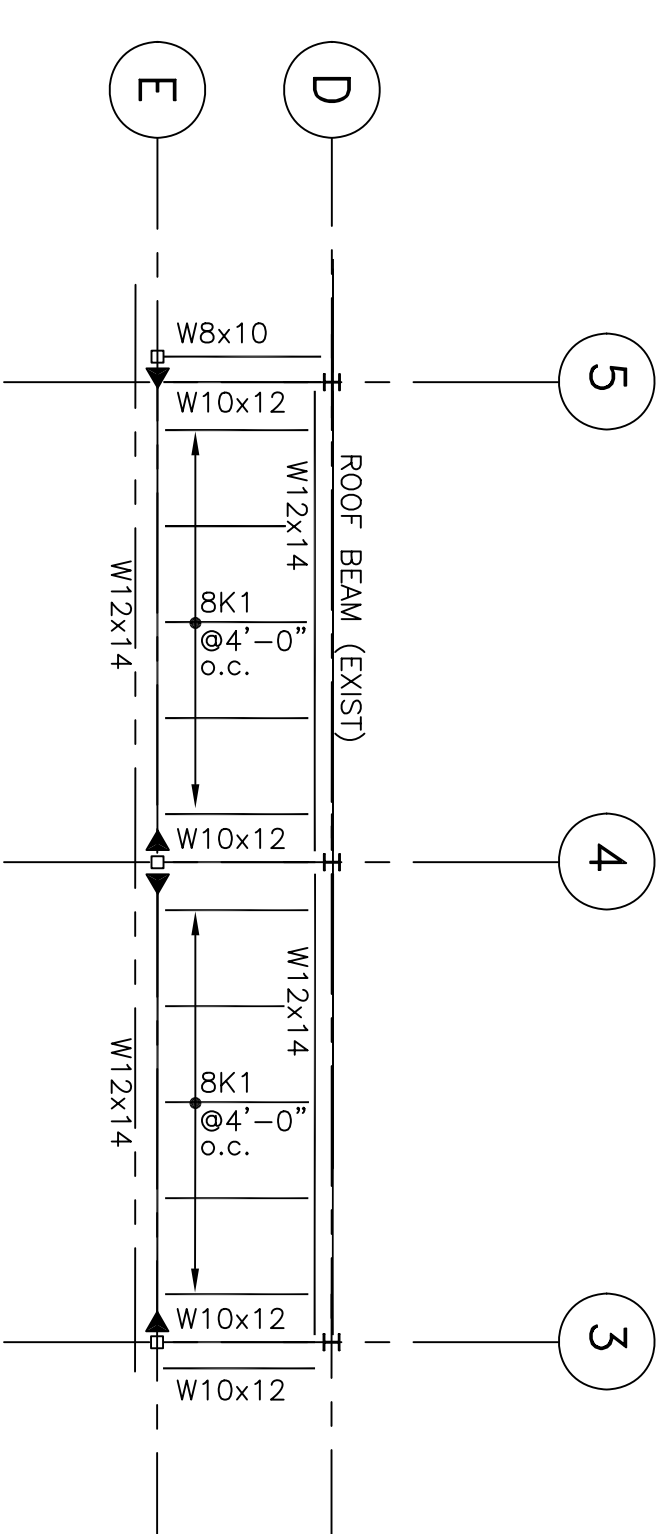
TYPICAL INTERIOR COLUMN & FOOTING DETAIL (S2.1)



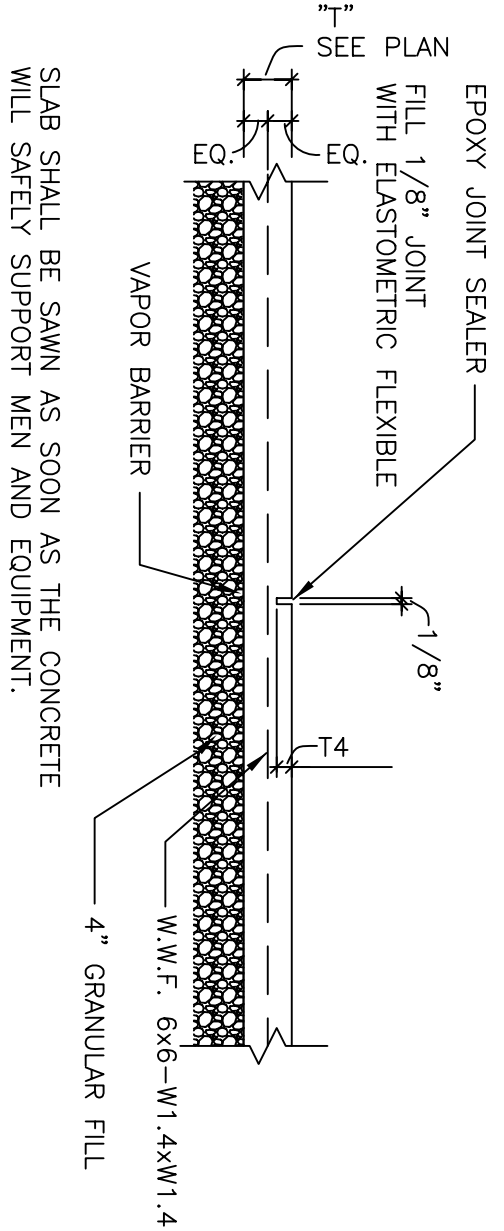
TYPICAL INTERIOR SLAB ISOLATION JOINT (S2.1)



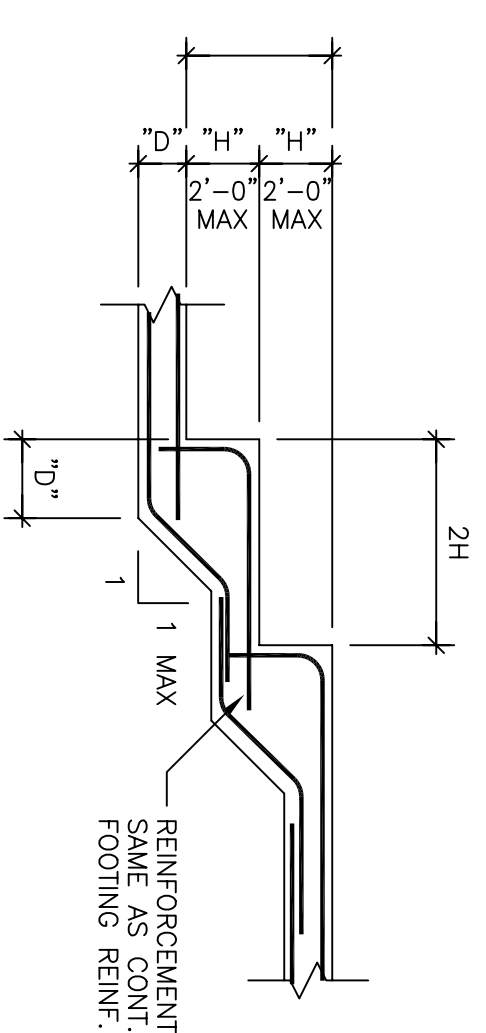
TYPICAL CONSTRUCTION SLAB ON GRADE (S2.1)



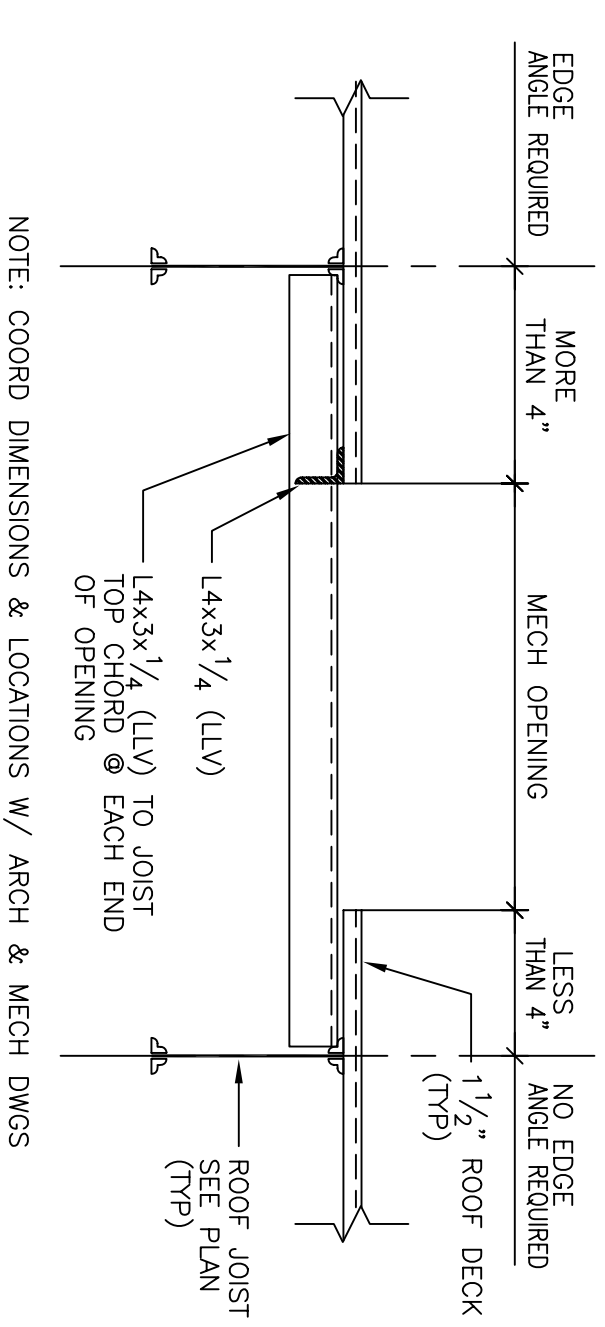
PART HIGH ROOF FRAMING PLAN (S2.1)



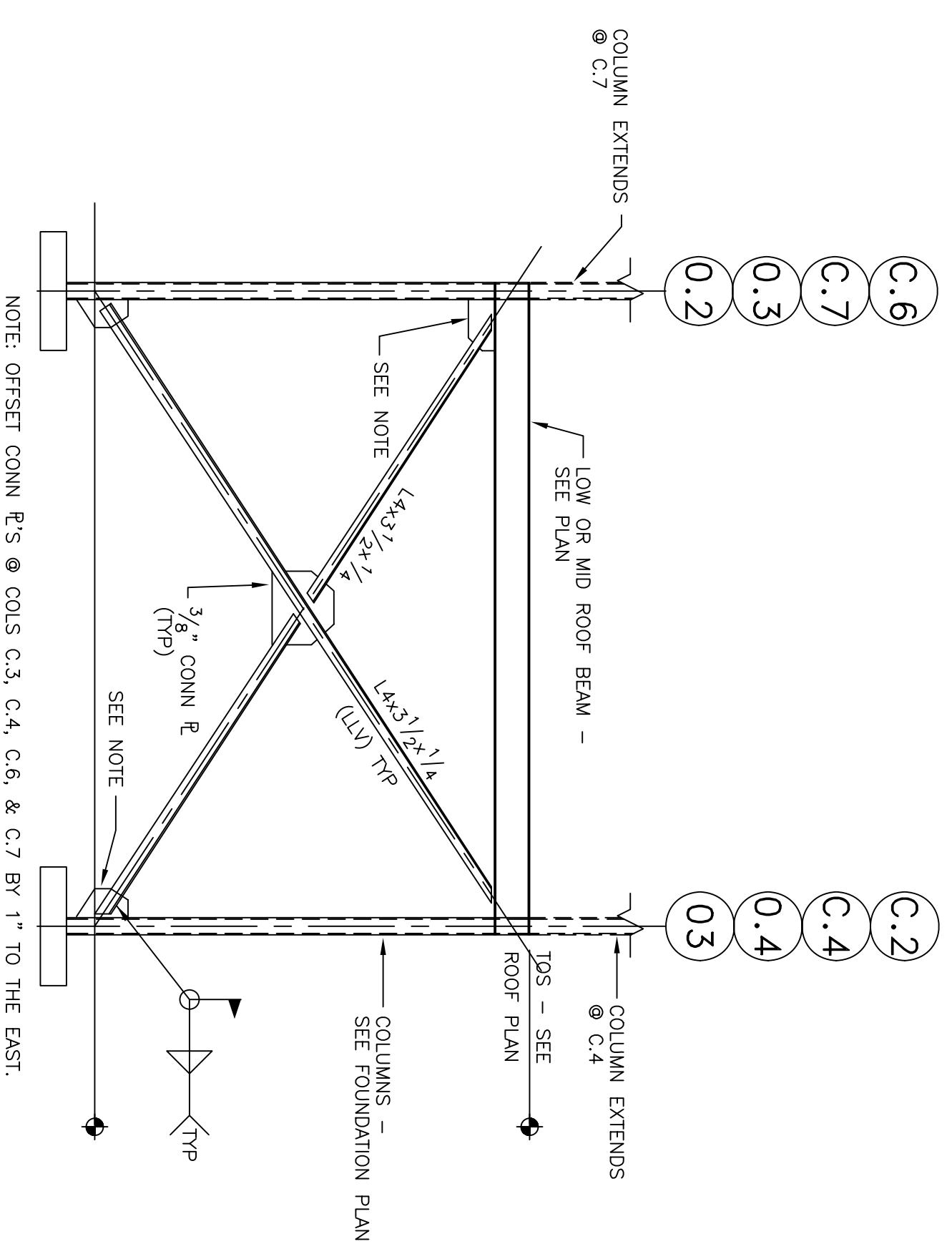
TYPICAL CONTROL JOINT SLABS ON GRADE (S2.1)



TYPICAL STEPPED FOOTING DETAIL (S2.1)

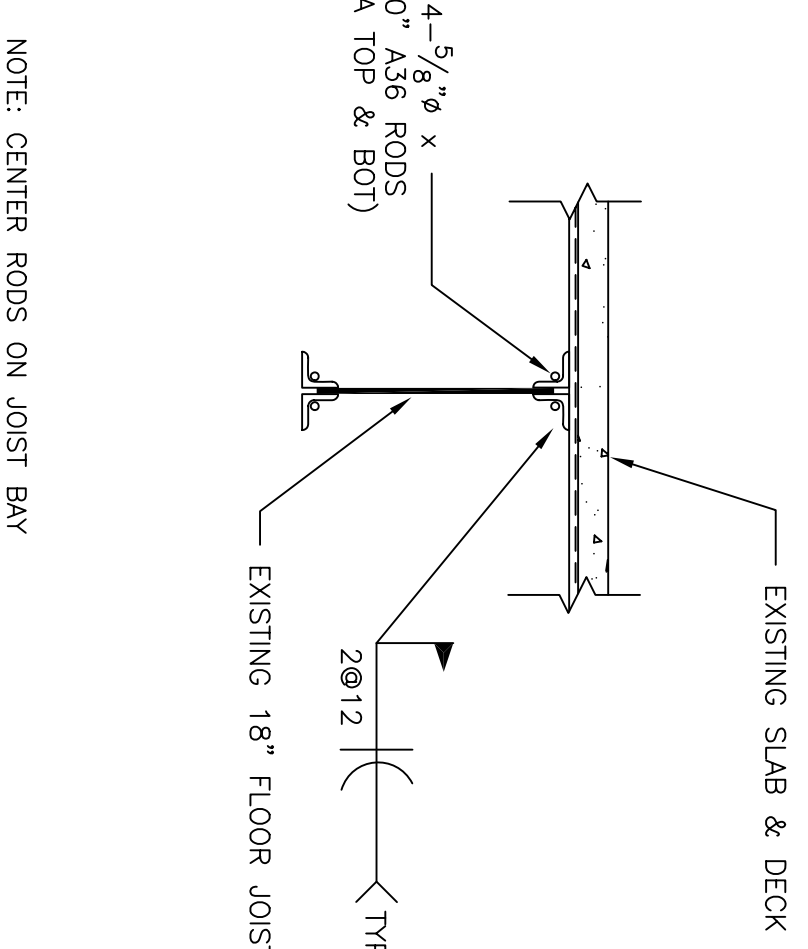


TYP MECH OPENING DETAIL (S2.1)

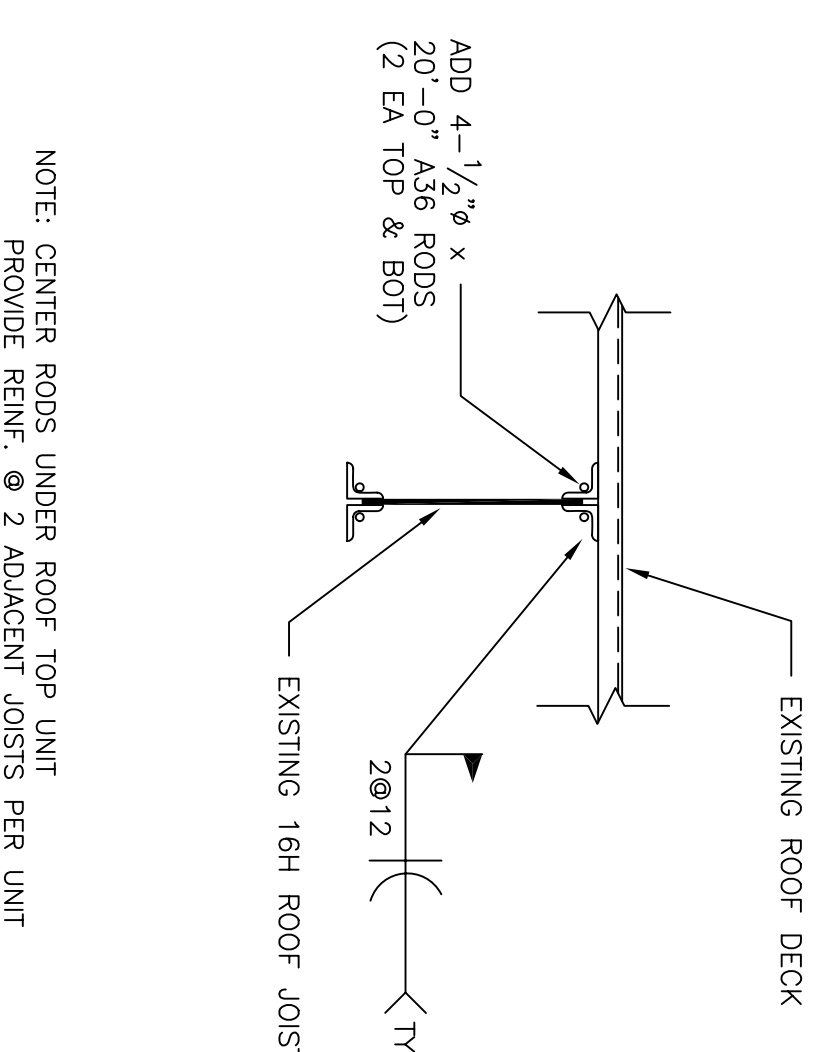


B-1 BRACE (S2.1)

FLOOR JOIST RETROFIT DETAIL (S2.1)



ROOF JOIST RETROFIT DETAIL (S2.1)



SECTION (S2.1)

