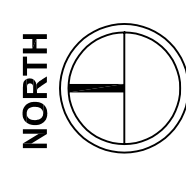


DRAWING TITLE:	
FIRST FLOOR MECHANICAL POWER PLAN	
PROJECT NUMBER:	200614
DATE:	05/25/07
DRAWING NUMBER:	E3.11

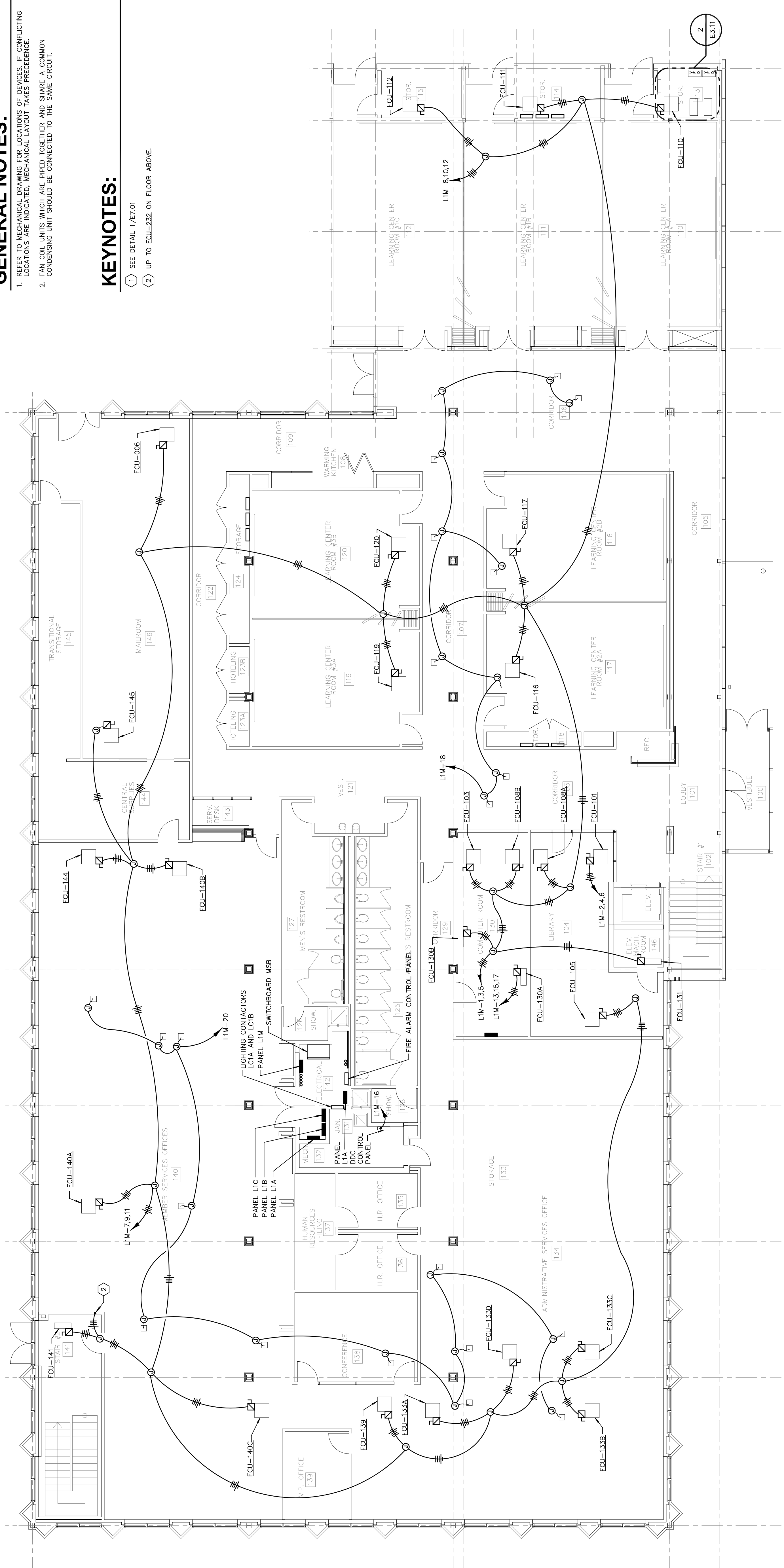


GENERAL NOTES:

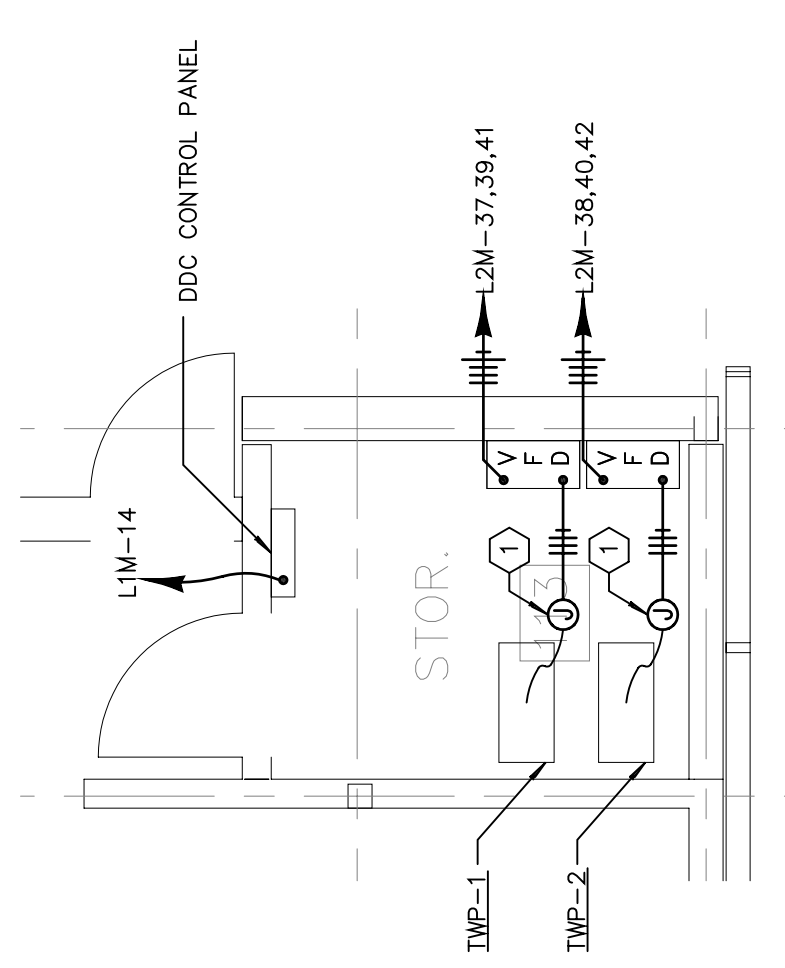
1. REFER TO MECHANICAL DRAWINGS FOR LOCATIONS OF DEVICES. IF CONFLICTING LOCATIONS ARE INDICATED, MECHANICAL LAYOUT TAKES PRECEDENCE.
2. FAN COIL UNITS WHICH ARE PIPED TOGETHER AND SHARE A COMMON CONDENSING UNIT SHOULD BE CONNECTED TO THE SAME CIRCUIT.

KEYNOTES:

- 1 SEE DETAIL 1/7E/01
- 2 UP TO ECU-232 ON FLOOR ABOVE.



1 FIRST FLOOR MECHANICAL POWER PLAN
 SCALE: 1/8" = 1'-0"



2 ENLARGED ELEVATOR MACHINE ROOM
 SCALE: 1/4" = 1'-0"